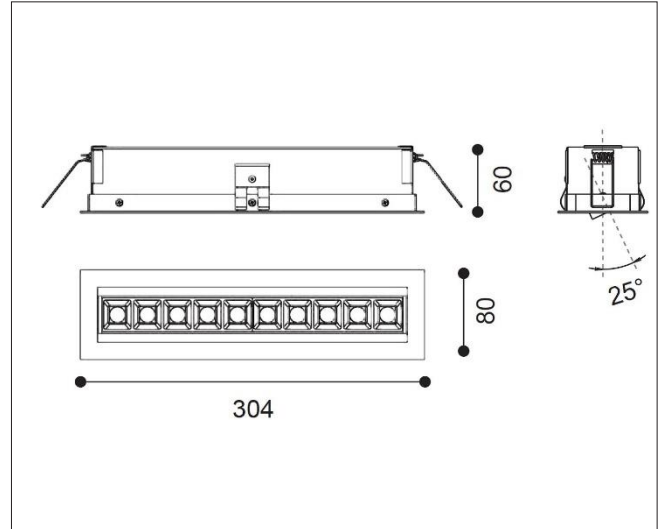


Artech Quadrus Tilt Recessed LED Luminaire

Architectural linear LED system for Recessed application. Total luminous flux up to 2000 lm with overall luminaire efficacy of 91 lm/W. Supplied with fixed output or DALI digital dimmable driver, optional - basic 3hr, self-test or EMPRO emergency kit. Aluminum extruded body in white or black finish. Beam angle available 15, 30 or 40 Degree.



Mounting	Recessed (With Trim)
Lamp Type	LED
Wattage	22 W
Lumen Output	2000 lm
Efficacy	91 lm/W
Colour Temperature	3000 K
CRI	90+
Beam Angle	15°
IP Rating	IP20
Control Gear	Fixed Output
Dimensions	304 x 80 x 60 mm
Colour Finish	White/Black
MacAdam	3
Service Lifetime	L80/B10 50,000 Hrs

