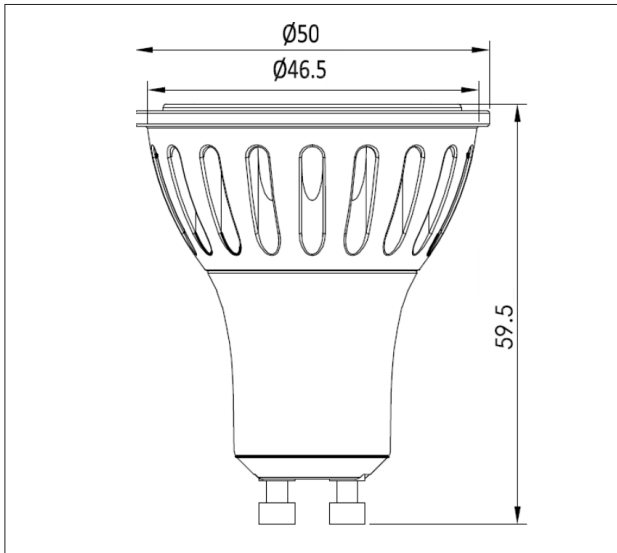


MAGNA LAMP

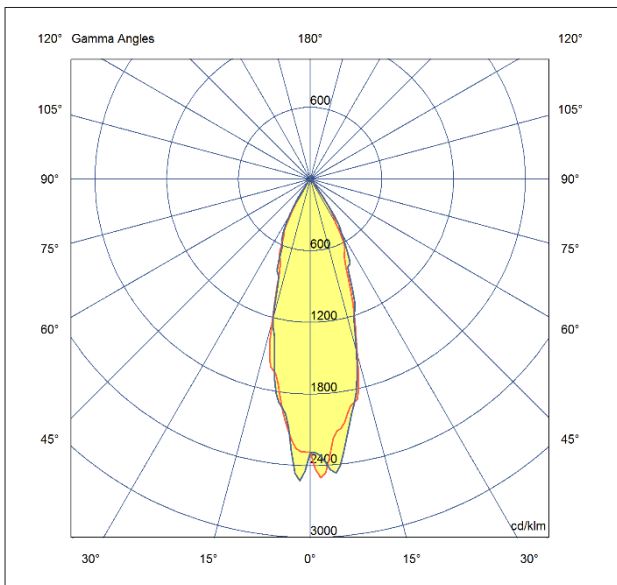
MGU 50 30 36 MD



Artech Magna recessed LED lamp with die-cast aluminium trim, steel housing, and pre-fitted GU10 LED lamp. Steel housing and intumescent material. High luminous efficacy up to 100 lm/W.



Lamp Type	GU10
Wattage	5 W
Lumen Output	500 lm
Efficacy	100 lm/W
Colour Temperature	3000 K
CRI	80+
Beam Angle	36°
Control Gear	Mains Dimmable
Dimension	50 Dia x 59.5 mm
MacAdam	3
Service Lifetime	L80/B10-50,000 Hrs



powered by

TRIDONIC

Driver details available upon request



Artech lighting strives to ensure all solutions are supplied with the latest technology, we therefore reserve the right to make technical and design changes without prior notice. Electrical connected load and luminous flux are subject to initial tolerance of up +/- 10%. Colour Temperature is subject to a tolerance of +/-150 Kelvin

St.JohnsRd,MeadowfieldIndustrialEstate,Durham,Co.Durham,DH78RJ-UnitedKingdom|T:+44(0)1913787960-F:+44(0)1913787909-www.artechlighting.com

