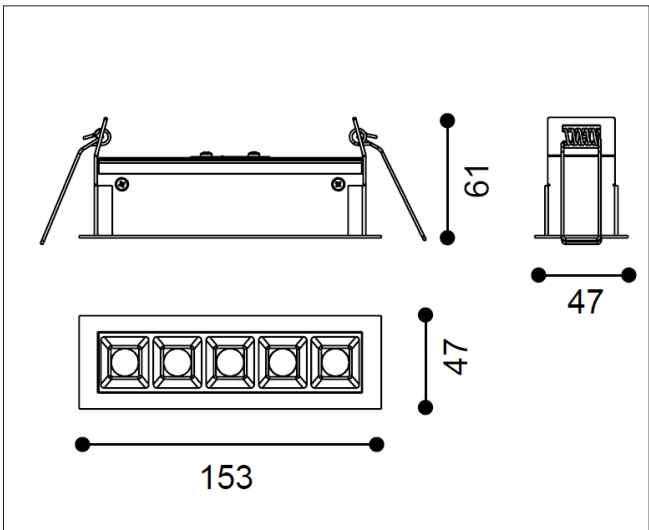
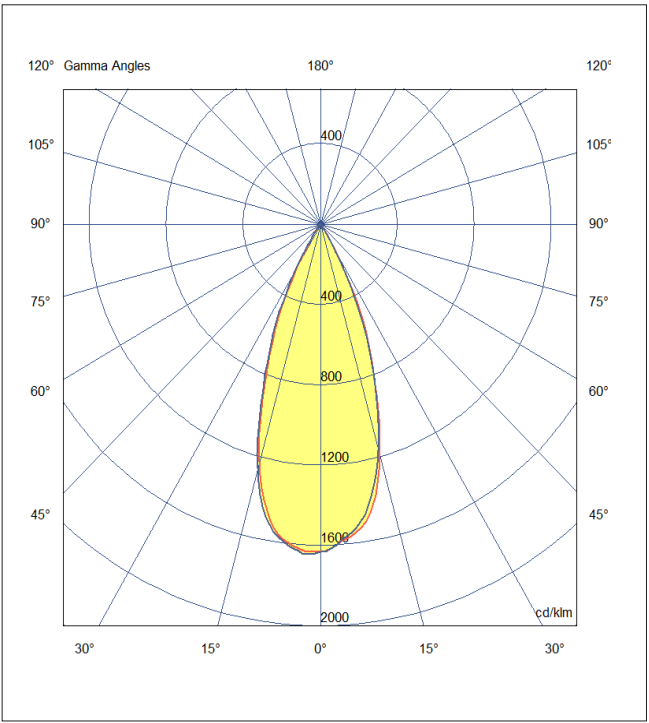


Artech Quadrus Recessed LED Luminaire

Architectural linear LED system for Recessed application. Total luminous flux up to 1000 lm with overall luminaire efficacy of 91 lm/W. Supplied with fixed output or DALI digital dimmable driver, optional - basic 3hr, self-test or EMPRO emergency kit. Aluminum extruded body in white or black finish. Beam angle available 15, 30 or 40 Degree.



Mounting	Recessed (With Trim)
Lamp Type	LED
Wattage	11 W
Lumen Output	1000 lm
Efficacy	91 lm/W
Colour Temperature	3000 K
CRI	90+
Beam Angle	40°
IP Rating	IP20
Control Gear	Fixed Output
Dimensions	153 x 47 x 61 mm
Colour Finish	White/Black
MacAdam	3
Service Lifetime	L80/B10 55,000 Hrs



powered by

TRIDONIC

Driver details available upon request



Artech lighting strives to ensure all solutions are supplied with the latest technology, we therefore reserve the right to make technical and design changes without prior notice. Electrical connected load and luminous flux are subject to initial tolerance of up +/- 10%. Colour Temperature is subject to a tolerance of +/-150 Kelvin

St.JohnsRd, Meadowfield Industrial Estate, Durham, Co. Durham, DH78RJ - United Kingdom | T: +44(0)1913787960 - F: +44(0)1913787909 - www.artechlighting.com

