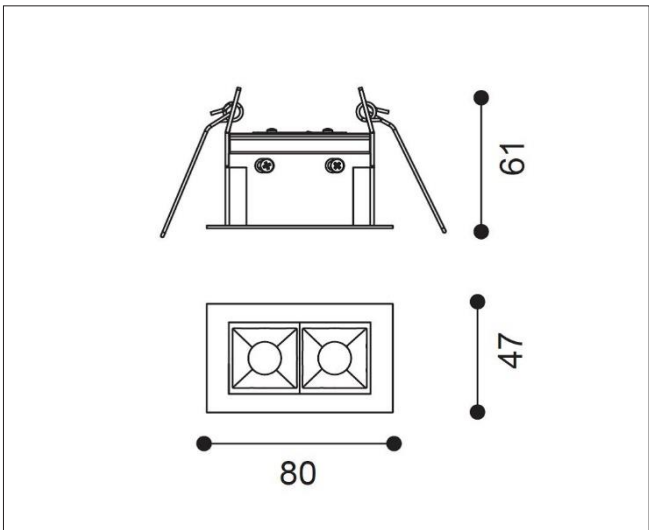
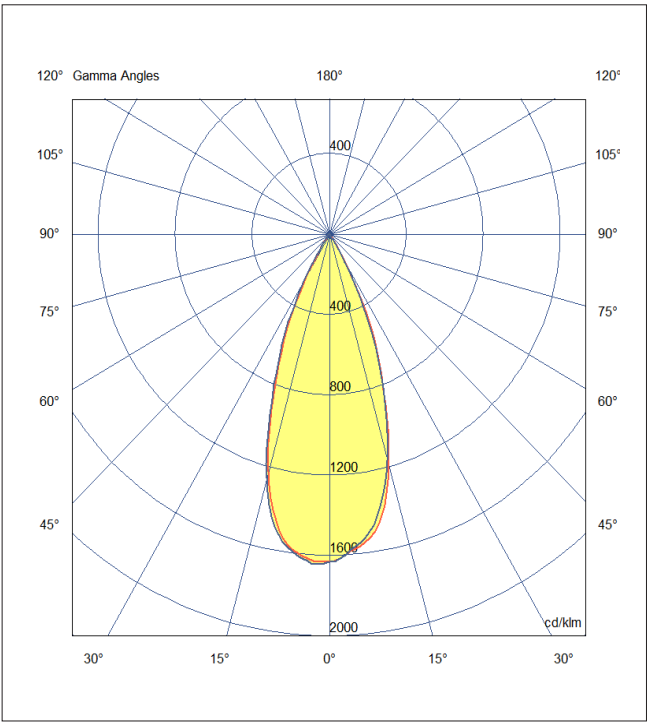


Artech Quadrus Recessed LED Luminaire

Architectural linear LED system for Recessed application. Total luminous flux up to 400 lm with overall luminaire efficacy of 91 lm/W. Supplied with fixed output or DALI digital dimmable driver, optional - basic 3hr, self-test or EMPRO emergency kit. Aluminum extruded body in white or black finish. Beam angle available 15, 30 or 40 Degree.



| | |
|---------------------------|----------------------|
| Mounting | Recessed (With Trim) |
| Lamp Type | LED |
| Wattage | 4.4 W |
| Lumen Output | 400 lm |
| Efficacy | 91 lm/W |
| Colour Temperature | 3000 K |
| CRI | 90+ |
| Beam Angle | 40° |
| IP Rating | IP20 |
| Control Gear | Fixed Output |
| Dimensions | 80 x 47 x 61 mm |
| Colour Finish | White/Black |
| MacAdam | 3 |
| Service Lifetime | L80/B10 55,000 Hrs |



powered by

TRIDONIC

Driver details available upon request



Artech lighting strives to ensure all solutions are supplied with the latest technology, we therefore reserve the right to make technical and design changes without prior notice. Electrical connected load and luminous flux are subject to initial tolerance of up +/- 10%. Colour Temperature is subject to a tolerance of +/-150 Kelvin

St.JohnsRd,MeadowfieldIndustrialEstate,Durham,Co.Durham,DH78RJ-UnitedKingdom|T:+44(0)1913787960-F:+44(0)1913787909-www.artechlighting.com

