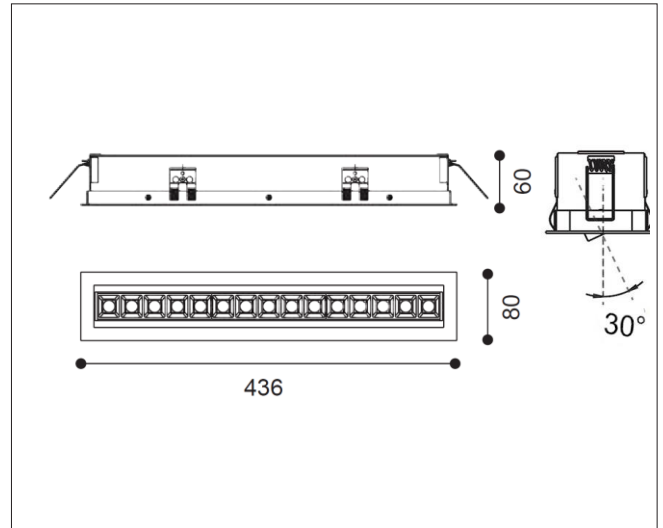
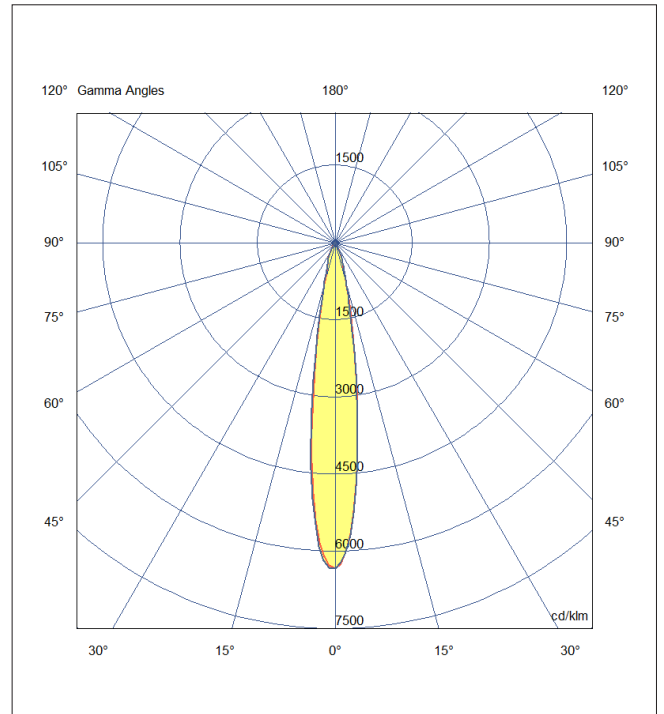


### Artech Quadrus Tilt Recessed LED Luminaire

Architectural linear LED system for Recessed application. Total luminous flux up to 2000 lm with overall luminaire efficacy of 91 lm/W. Supplied with fixed output or DALI digital dimmable driver, optional - basic 3hr, self-test or EMPRO emergency kit. Aluminum extruded body in white or black finish. Beam angle available 15, 30 or 40 Degree.



|                           |                      |
|---------------------------|----------------------|
| <b>Mounting</b>           | Recessed (With Trim) |
| <b>Lamp Type</b>          | LED                  |
| <b>Wattage</b>            | 33 W                 |
| <b>Lumen Output</b>       | 3000 lm              |
| <b>Efficacy</b>           | 91 lm/W              |
| <b>Colour Temperature</b> | 3000 K               |
| <b>CRI</b>                | 90+                  |
| <b>Beam Angle</b>         | 15°                  |
| <b>IP Rating</b>          | IP20                 |
| <b>Control Gear</b>       | Fixed Output         |
| <b>Dimensions</b>         | 436 x 80 x 60 mm     |
| <b>Colour Finish</b>      | White/Black          |
| <b>MacAdam</b>            | 3                    |
| <b>Service Lifetime</b>   | L80/B10 55,000 Hrs   |



powered by

# TRIDONIC

Driver details available upon request