

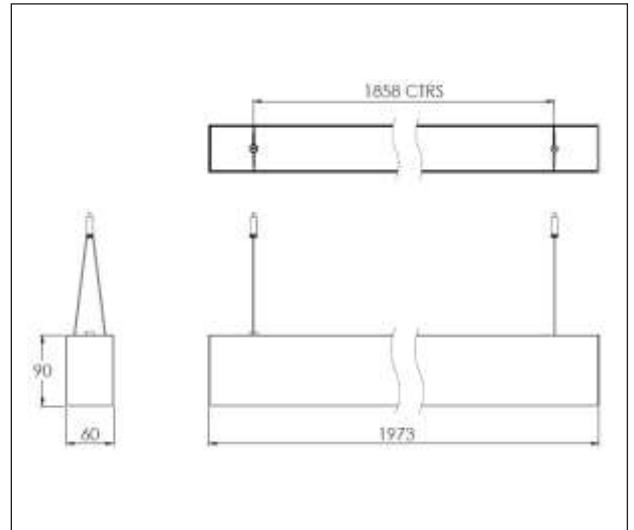
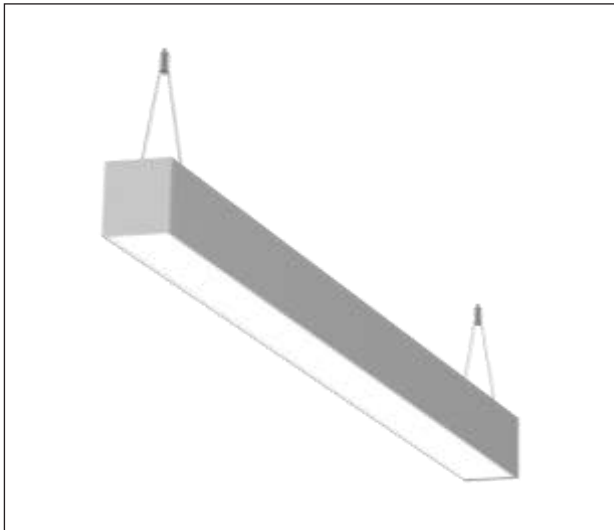
# FLOWLINE

AFM 51-21 MP 40 G P W

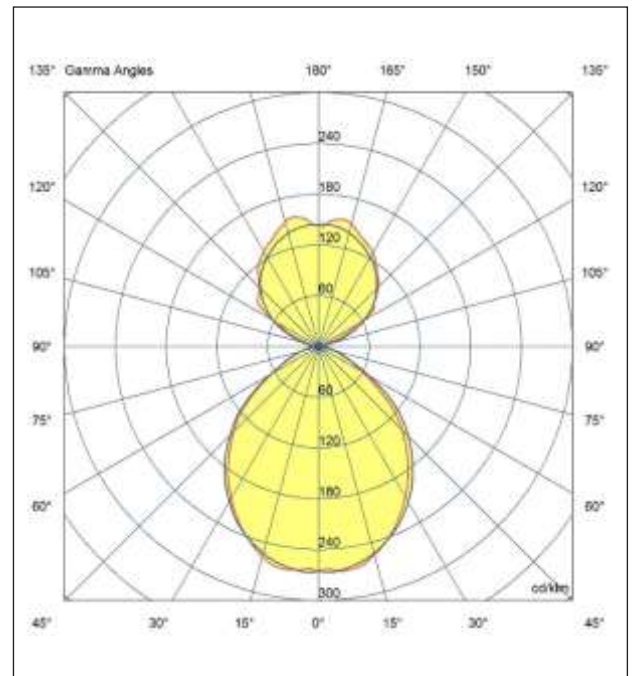


## Artech Flowline Suspended LED Luminaire

Architectural linear LED system for Suspended applications. Total luminous flux of up to 9696 lm with overall luminaire efficacy 113 lm/W. Supplied with fixed output or DALI digital dimmable drive. Optional - basic 3hr, self-test or EMPRO emergency kit providing a total of 345lm in emergency mode. Aluminum extruded body in white, black or silver finish. MPO (UGR 19) optic with high lumen output and luminance intensity control.



Mounting	Suspended
Lamp Type	LED
Wattage	64.4W
Lumen Output	5117 lm Dn 2160 lm Up (Available from 2562lm-9696lm)
Efficacy	113 lm/W
Colour Temperature	4000 K
CRI	80+
Optic	MPO
IP Rating	IP20
Control Gear	Fixed Output
Dimension	1973 x 60 x 90 mm
Colour Finish	White (RAL 9010)
MacAdam	3
Service Lifetime	L80/B10-72,000 Hrs



powered by  
**TRIDONIC**

Driver details available upon request



Artech lighting strives to ensure all solutions are supplied with the latest technology, we therefore reserve the right to make technical and design changes without prior notice. Electrical connected load and luminous flux are subject to initial tolerance of up +/- 10%. Colour Temperature is subject to a tolerance of +/-150 Kelvin

St Johns Rd, Meadowfield Ind. Estate, Durham, Co. Durham, DH7 8RJ – United Kingdom T: +44(0) 191 3787960 E: [info@artechlighting.com](mailto:info@artechlighting.com) W: [www.artechlighting.com](http://www.artechlighting.com)

