

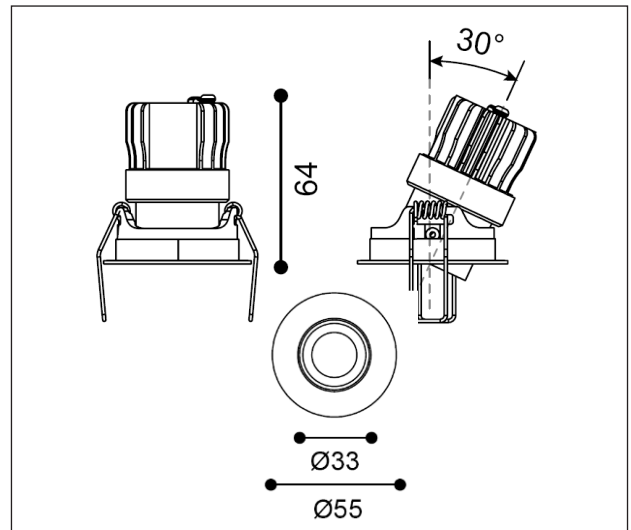
# INFRA 55

IST 02 30 60 CL 55 ST WB

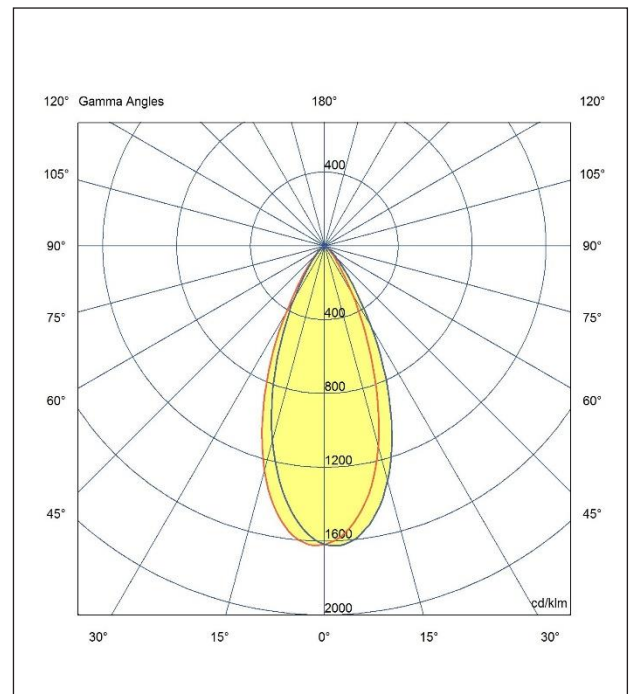
ARTECH  
LIGHTING

## Artech Infra 55 Round Tilt Shallow Depth Downlight

Artech Infra recessed architectural Tilt LED downlight with ingress protection IP65. Total luminous flux up to 235 lm with overall luminaire efficacy of 102 lm/W. Supplied with fixed output, DALI digital or phase-cut dimmable driver, optional 3-hour Basic or EMPRO emergency kit. Forged aluminum heat sink with die-cast white or black bezel.



<b>Mounting</b>	Recessed (With Trim)
<b>Lamp Type</b>	LED
<b>Wattage</b>	2.3 W
<b>Lumen Output</b>	235 lm
<b>Efficacy</b>	102 lm/W
<b>Colour Temperature</b>	3000 K
<b>CRI</b>	80+
<b>Beam Angle/Optic</b>	60°/ Clear
<b>IP Rating</b>	IP65
<b>Control Gear</b>	Fixed Output
<b>Dimension</b>	55 Dia x 64 mm
<b>Colour Finish</b>	White/ Black
<b>MacAdam</b>	3
<b>Service Lifetime</b>	L80/B10-55,000 Hrs



powered by

**TRIDONIC**

Driver details available upon request



Artech lighting strives to ensure all solutions are supplied with the latest technology, we therefore reserve the right to make technical and design changes without prior notice. Electrical connected load and luminous flux are subject to initial tolerance of up +/- 10%. Colour Temperature is subject to a tolerance of +/-150 Kelvin

St Johns Rd, Meadowfield Ind. Estate, Durham, Co. Durham, DH7 8RJ – United Kingdom T: +44(0) 191 3787960 E: [info@artechlighting.com](mailto:info@artechlighting.com) W: [www.artechlighting.com](http://www.artechlighting.com)

