



TENUS MINI PART CODES EXPLAINED

Part Code e.g: **TRF 04 30 38 CL 75 ST W**



TRF

Product



04

Lumen



30

Temperature



38

Beam Angle



CL

Distribution Optics



75

Size



ST

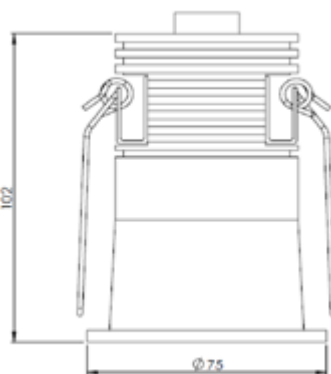
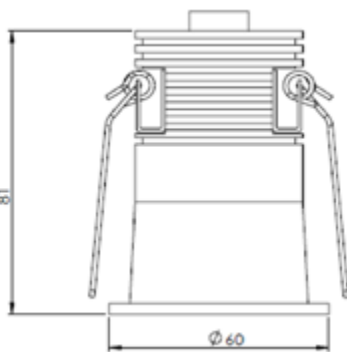
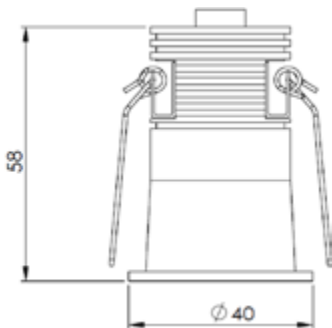
Mounting Method



W

Colour

DIMENSIONS



ORDERING GUIDE

Product

TRF Tenus Round Fix

Lumen Output

40mm **03** 260 Lumen

60mm **04** 420 Lumen **05** 490 Lumen **06** 560 Lumen

75mm **05** 465 Lumen **06** 620 Lumen **08** 775 Lumen **09** 930 Lumen

Temperature

30 3000 Kelvin **40** 4000 Kelvin

Beam Angle

38°

Distribution Optics

CL Clear

Size

40 40mm **60** 60mm **75** 75mm

Mounting Method

ST With Trim

Colour - Body

W White **WB** White/Black **B** Black

Options

D DALI **MD** Mains Dim

Custom Solutions: Variation for product solutions available upon request.