

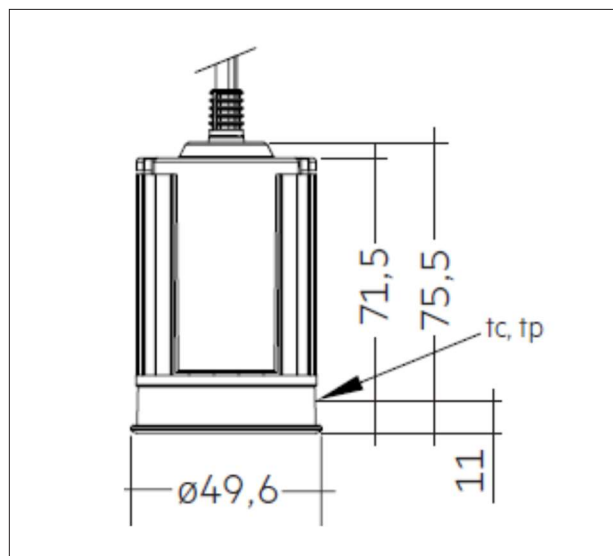
# MAGNA HYBRID

MHM 82 40 12 MD

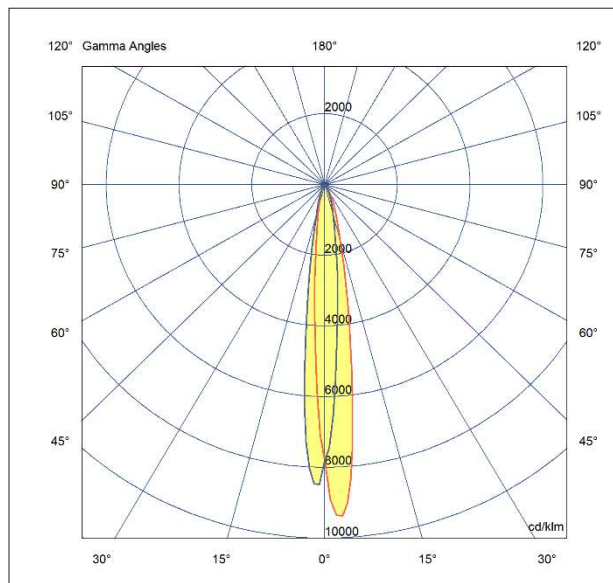


## Artech Magna Hybrid LED

Artech Magna LED module, with high quality injection moulded TIR optic, COB LED, and extruded aluminium heatsink. Various lumen outputs, beam angles and colour temperatures available. 50mm diameter housing. High luminous efficacy up to 85 lm/W.



<b>Lamp Type</b>	LED
<b>Wattage</b>	9.6 W
<b>Lumen Output</b>	820 lm
<b>Efficacy</b>	85 lm/W
<b>Colour Temperature</b>	3000 K
<b>CRI</b>	90+
<b>Beam Angle</b>	12°
<b>Control Gear</b>	Mains Dimmable
<b>Dimension</b>	50 Dia x 75.5 mm
<b>MacAdam</b>	3
<b>Service Lifetime</b>	L80/B10-50,000 Hrs



powered by

# TRIDONIC

Driver details available upon request



Artech lighting strives to ensure all solutions are supplied with the latest technology, we therefore reserve the right to make technical and design changes without prior notice. Electrical connected load and luminous flux are subject to initial tolerance of up +/- 10%. Colour Temperature is subject to a tolerance of +/- 150 Kelvin

St. Johns Rd, Meadowfield Industrial Estate, Durham, Co. Durham, DH78RJ - United Kingdom | T: +44(0)1913787960 - F: +44(0)1913787909 - www.artechlighting.com

