

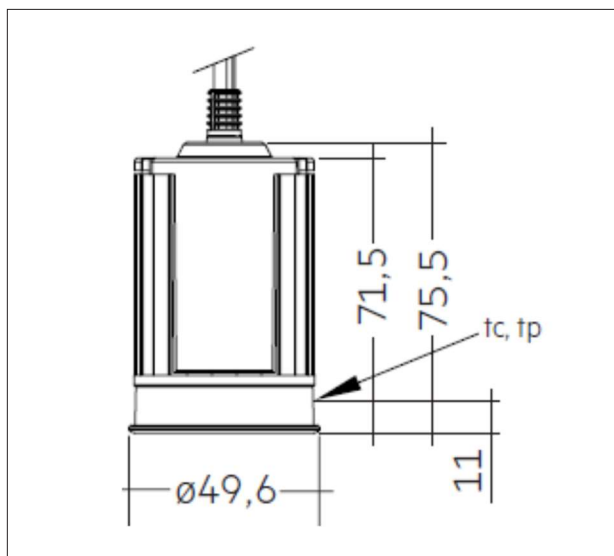
MAGNA HYBRID

MHM 82 40 38 MD

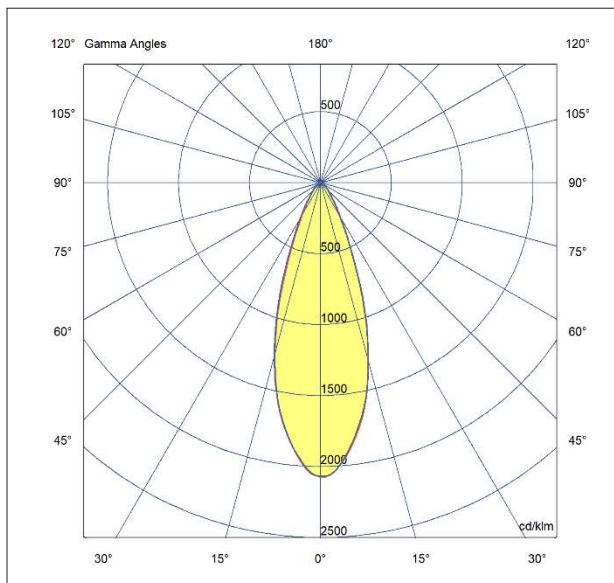


Artech Magna Hybrid LED

Artech Magna LED module, with high quality injection moulded TIR optic, COB LED, and extruded aluminium heatsink. Various lumen outputs, beam angles and colour temperatures available. 50mm diameter housing. High luminous efficacy up to 85 lm/W.



Lamp Type	LED
Wattage	9.6 W
Lumen Output	820 lm
Efficacy	85 lm/W
Colour Temperature	3000 K
CRI	90+
Beam Angle	38°
Control Gear	Mains Dimmable
Dimension	50 Dia x 75.5 mm
MacAdam	3
Service Lifetime	L80/B10-50,000 Hrs



powered by

TRIDONIC

Driver details available upon request



Artech lighting strives to ensure all solutions are supplied with the latest technology, we therefore reserve the right to make technical and design changes without prior notice. Electrical connected load and luminous flux are subject to initial tolerance of up to +/- 10%. Colour Temperature is subject to a tolerance of +/- 150 Kelvin

St. Johns Rd, Meadowfield Industrial Estate, Durham, Co. Durham, DH78RJ - United Kingdom | T: +44(0)1913787960 - F: +44(0)1913787909 - www.artechlighting.com

