

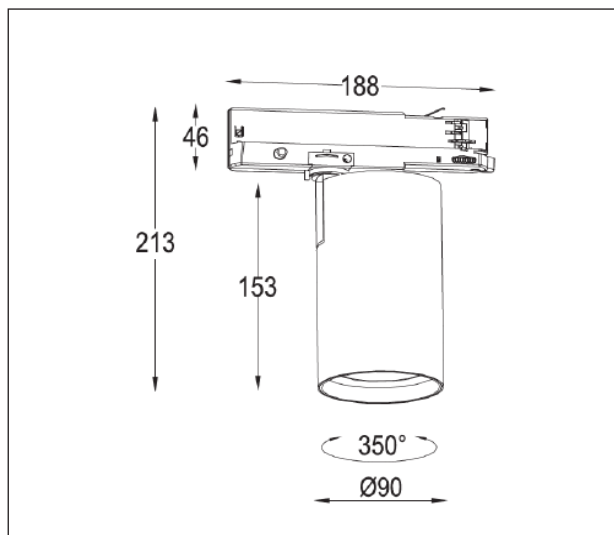
# ASTRA

AST 24 30 12 CL 90 TR B

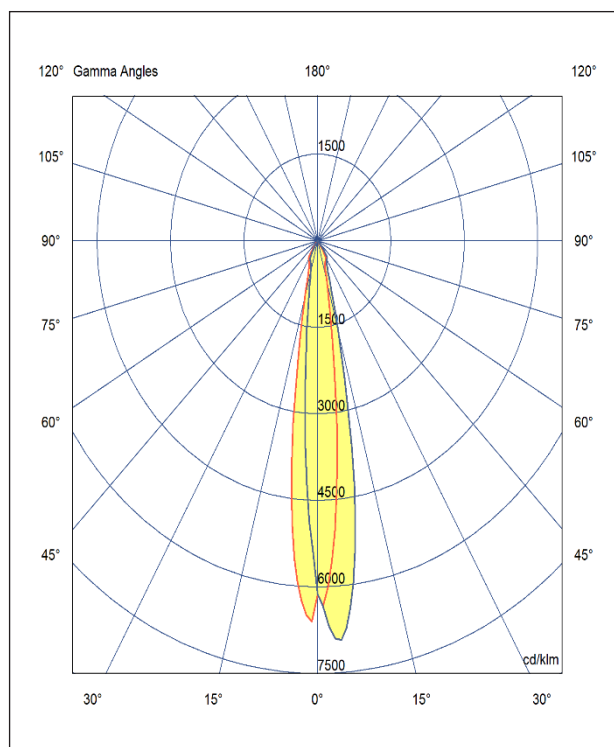
ARTECH  
LIGHTING

## Artech Astra Track Mounted Luminaire

An elegant directional track spotlight range, with high quality aluminium housing and discrete hinge design allowing for concise adjustment. A range of beam angles are available to suit any spotlighting or general lighting application. Total luminous flux up to 2400 lm with overall luminaire efficacy up to 100 lm/W. Supplied with fixed output, DALI digital dimmable driver, optional 3 – hour Basic or EMPRO emergency kit.



|                           |                      |
|---------------------------|----------------------|
| <b>Mounting</b>           | Track Mounted        |
| <b>Lamp Type</b>          | LED                  |
| <b>Wattage</b>            | 24 W                 |
| <b>Lumen Output</b>       | 2400 lm              |
| <b>Efficacy</b>           | 100 lm/W             |
| <b>Colour Temperature</b> | 3000 K               |
| <b>CRI</b>                | 90+                  |
| <b>Beam Angle/Optic</b>   | 12°/Clear            |
| <b>IP Rating</b>          | IP20                 |
| <b>Control Gear</b>       | Fixed Output         |
| <b>Dimension</b>          | 90 Dia x 213 mm      |
| <b>Colour Finish</b>      | Black                |
| <b>MacAdam</b>            | 3                    |
| <b>Service Lifetime</b>   | L80/B10 – 50,000 Hrs |



powered by

**TRIDONIC**

Driver details available upon request



Artech lighting strives to ensure all solutions are supplied with the latest technology, we therefore reserve the right to make technical and design changes without prior notice. Electrical connected load and luminous flux are subject to initial tolerance of up +/- 10%. Colour Temperature is subject to a tolerance of +/- 150 Kelvin

St Johns Rd, Meadowfield Ind. Estate, Durham, Co. Durham, DH7 8RJ – United Kingdom T: +44(0) 191 3787960 E: [info@artechlighting.com](mailto:info@artechlighting.com) W: [www.artechlighting.com](http://www.artechlighting.com)

