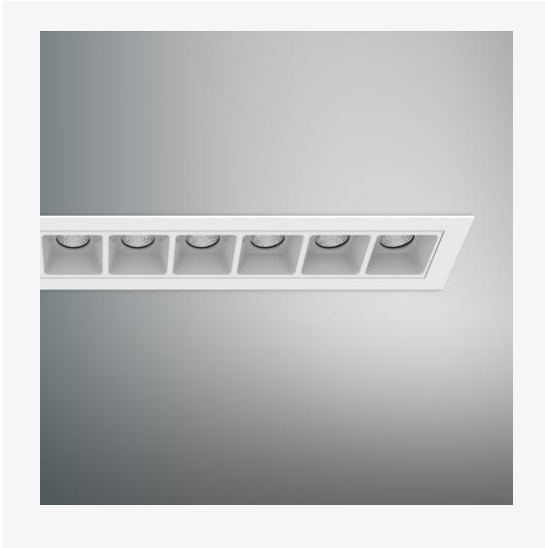
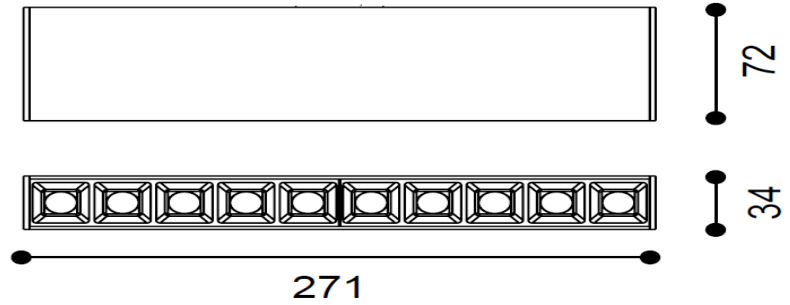


Part Code: **QUF 200 30 40 10 S WW**



Architectural linear LED system for Surface application. Total luminous flux up to 2000 lm with overall luminaire efficacy of 91 lm/W. Supplied with fixed output or DALI digital dimmable driver, optional - basic 3hr, self-test or EMPRO emergency kit. Aluminum extruded body in white or black finish. Beam angle available 15, 30 or 40 Degree.



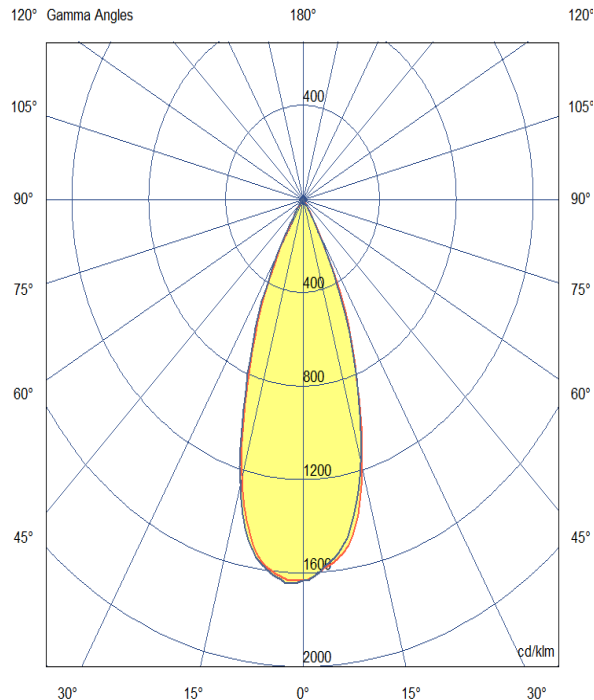
## Production Information

**Physical**  
 Mounting Type – Surface  
 Length – 285mm  
 Height – 90mm  
 Width – 47mm  
 Finish – White/White  
 IP Rating – IP20

**Electrical**  
 Lamp Type – LED  
 Wattage – 22 W  
 Efficacy – 91lm/W  
 Driver – Tridonic/Forge  
 Control – Fixed Output

**LED**  
 Delivered lumen output – 2000lm  
 CCT – 3000K  
 CRI – 90+  
 MacAdam – < 3  
 Service Lifetime – L80/B10 55,000hrs

**Optic**  
 40° Beam Angle



Artech lighting strives to ensure all solutions are supplied with the latest technology, we therefore reserve the right to make technical and design changes without prior notice. Electrical connected load and luminous flux are subject to initial tolerance of up +/- 10%. Colour Temperature is subject to a tolerance of +/-150 Kelvin.

**St Johns Rd, Meadowfield Ind. Estate, Durham, Co. Durham, DH7 8RJ, United Kingdom**  
**T: +44(0) 191 3787960 E: info@artechlighting.com**

Powered by:

