

ARTECH  
LIGHTING

# TURBO



YOUR PROJECT,  
YOUR CHOICE







# ARTECH LIGHTING

Artech Lighting applies sophisticated design, manufacturing excellence and rapid assembly to provide an outstanding architectural and technical product range.

Based in Durham City, Artech Lighting is a UK company with core values of architectural integration, innovative technology, energy efficiency and sustainability.

**A true UK lighting manufacturer.**



## TUBO

---

The Artech Tubo is a pendant cylindrical downlight. The product is available in a variety of optics to suit any application.

With a distinctive cylindrical design this compact luminaire incorporates the latest LED technology and design with built in drivers and control gear, delivering the highest quality of light for any given application.

**Standard Features:**

100 lm/W

**CRI > 80** Integrated driver / control gear  
**IP20**

**Long life**

> 55,000 hours, energy efficient LED technology.

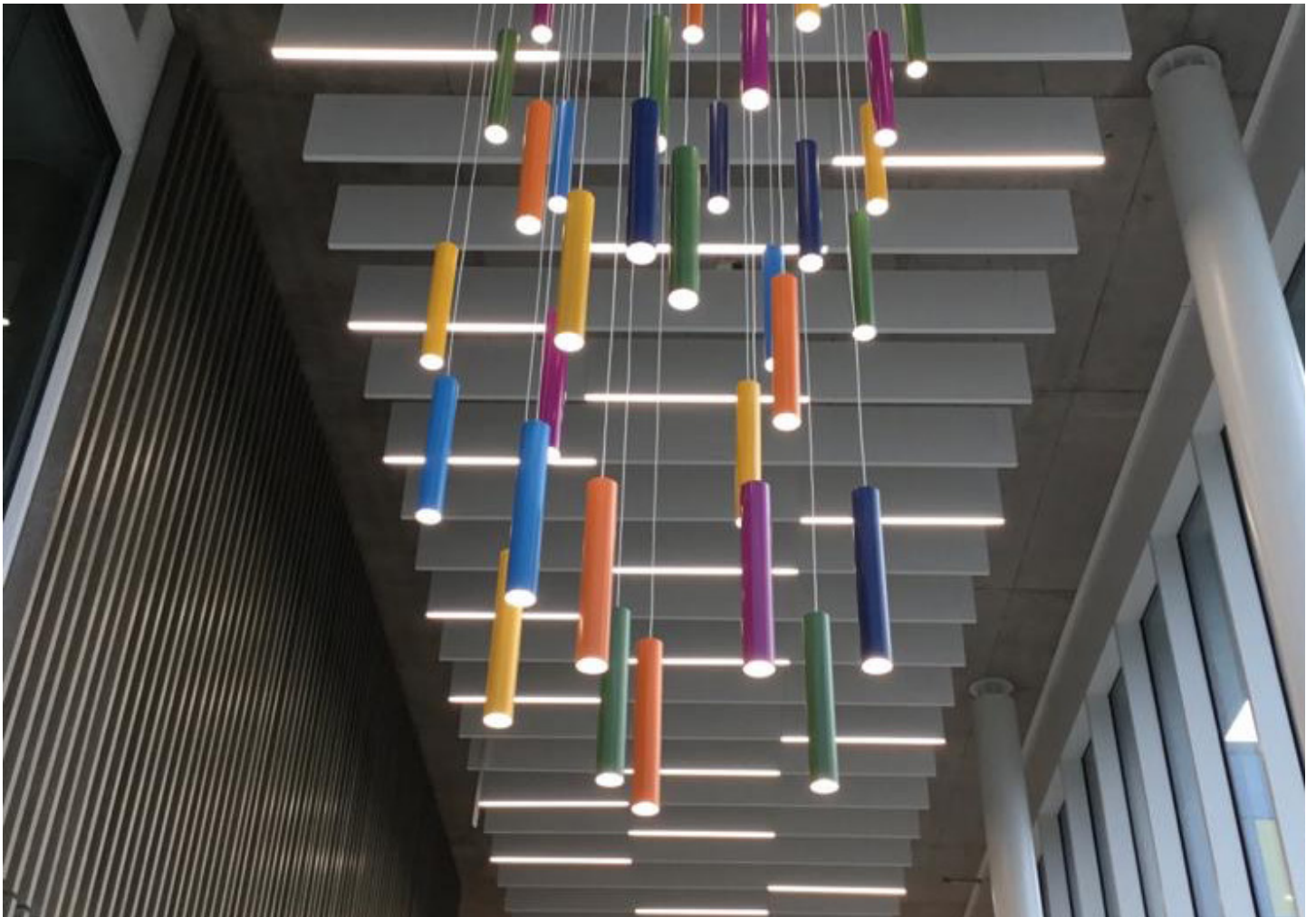


## OPTIONS

---

- Available in 3000k or 4000k
- Available in White, Black or Anodised aluminium finish for direct distribution solutions. All custom RAL colours are also available.
- Available with DALI/DSI drivers, standard, self-test and EMPRO emergency.





## PRODUCTS

Artech Lighting's interior architectural lighting solutions enrich environments and enhance human comfort and performance.

Sustainable product innovation, backed by the highest quality component design ensures all of our ranges consider architectural applications and integration, whilst maximising energy efficiency and performance.

Artech Lighting has developed a comprehensive range of elegant, energy efficient, cutting-edge interior and exterior products.

**All products are developed to embrace our core values and principles:**

- Architectural Integration
- Innovative Technology
- Efficiency and Performance
- Sustainable Quality
- Simple Installation, including pre-wired options to significantly reduce installation time
- Modular design approach

**Our standard ranges include:**

- Interior
- Exterior

Visit our website: [www.artechlighting.com](http://www.artechlighting.com)



# TUBO PART CODES EXPLAINED

Part Code e.g: **TUB 04 30 38 CL 400 P B D**



**TUB**

Product



**04**

Lumen



**30**

Temperature



**38**

Beam Angle



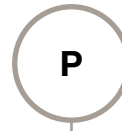
**CL**

Optic



**400**

Size



**P**

Mounting Method



**W**

Color



**D**

Control Gear

## ORDERING GUIDE

Product

**TUB** Tubo

Lumen

**04** 350lm **07** 700lm **11** 1050lm **14** 1400lm

Temperature

**30** 3000 K **40** 4000 K

Beam Angle

**38°** **60°**

Optic

**CL** Clear

Size

**400** 60x400mm

Mounting Method

**P** Pendant

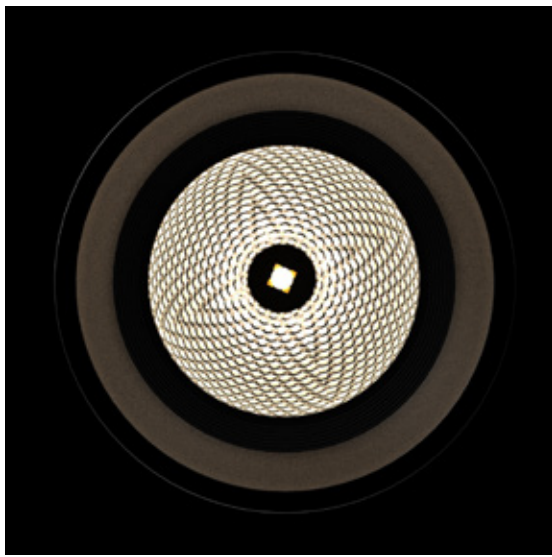
Colour

**W** White **B** Black

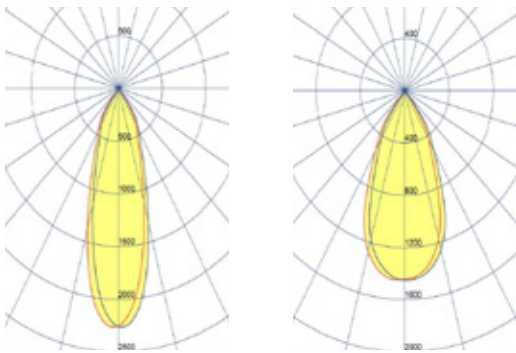
Control Gear

**D** DALI

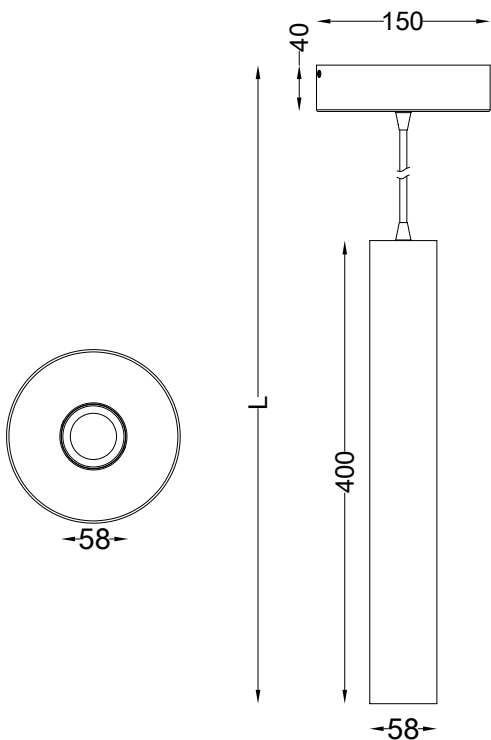
**Custom Solutions:** Variation for product solutions available upon request.



## OPTICS



## DIMENSIONS





YOUR PROJECT,  
YOUR CHOICE

All Artech Lighting products are available in any RAL colour.  
Contact us for more information.



## CONTACT

---

+44 (0) 191 378 7960  
info@artechlighting.com  
www.artechlighting.com

