

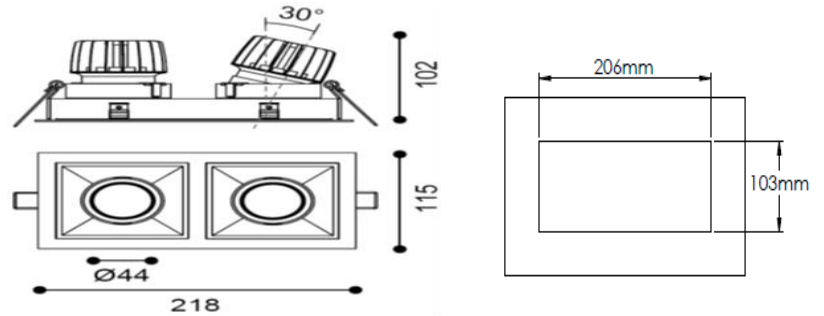
TENUS SQUARE SNOOT

ARTECH
LIGHTING

Part Code: **TSN 14 40 36 CL 218 ST WWB**



Artech Tenus recessed architectural fixed LED downlight with ingress protection IP44. Total luminous flux up to 1408 lm with overall luminaire efficacy of 109 lm/W. Supplied with fixed output, DALI digital or phase-cut dimmable driver, optional 3-hour Basic or EMPRO emergency kit. Forged aluminium heat sink with die-cast white or black bezel.



Production Information

Physical

Mounting Type – Recessed (With Trim)
Length – 218mm
Height – 102mm
Width – 115mm
Cutout – 206mmx103mm
Finish – White/White/Black
IP Rating – IP44

Electrical

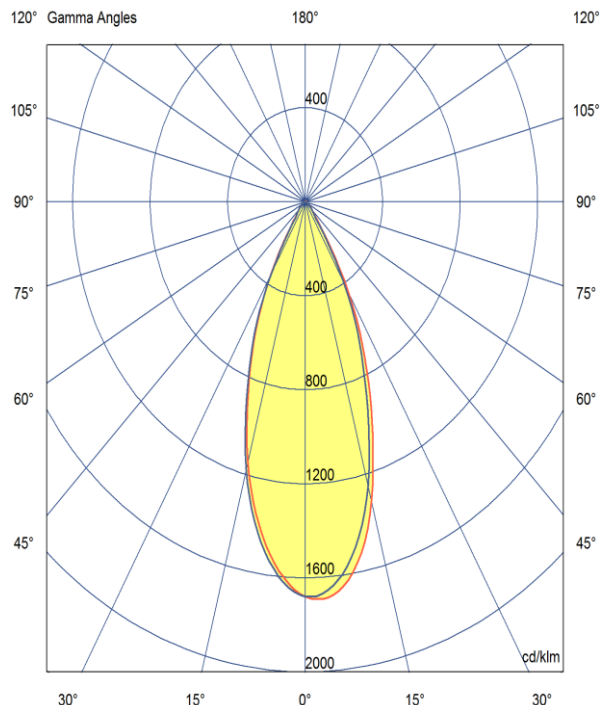
Lamp Type - LED
Wattage – 2 x 12.9 W
Efficacy – 109 lm/W
Driver – Tridonic/Osram
Control – Fixed Output

LED

Manufacturer – Citizen
LED Type – CLU028/120C4
Delivered lumen output – 2 x 1408lm
CCT – 4000K
CRI – 80+
MacAdam – < 2
Service Lifetime – L80/B10 72,000 Hrs

Optic

36° Clear



Artech lighting strives to ensure all solutions are supplied with the latest technology, we therefore reserve the right to make technical and design changes without prior notice. Electrical connected load and luminous flux are subject to initial tolerance of up +/- 10%. Colour Temperature is subject to a tolerance of +/-150 Kelvin.

St Johns Rd, Meadowfield Ind. Estate, Durham, Co. Durham, DH7 8RJ, United Kingdom
T: +44(0) 191 3787960 E: info@artechlighting.com