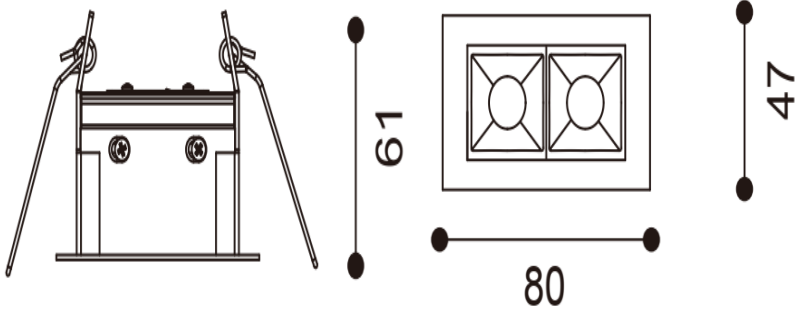


Part Code: **QUF 40 40 40 2 RT WB**



Architectural linear LED system for Recessed application. Total luminous flux up to 3000 lm with overall luminaire efficacy of 91 lm/W. Supplied with fixed output or DALI digital dimmable driver, optional - basic 3hr, self-test or EMPRO emergency kit. Aluminium extruded body in white or black finish. Beam angle available 15, 30 or 40 Degree.



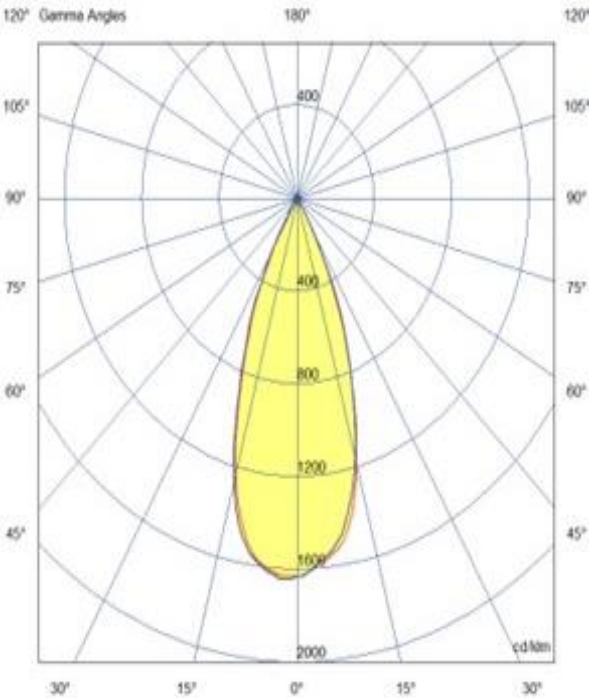
Production Information

– **Physical**
 Mounting Type – Recessed (With Trim)
 Length – 80mm
 Height – 61mm
 Width – 47mm
 Finish – White/Black
 IP Rating – IP20

– **Electrical**
 Lamp Type – LED
 Wattage – 4.4 W
 Efficacy – 91lm/W
 Driver – Tridonic/Osram
 Control – Fixed Output

– **LED**
 Delivered lumen output – 400lm
 CCT – 4000K
 CRI – 90+
 MacAdam – < 3
 Service Lifetime – L80/B10 55,000hrs

– **Optic**
 40° Beam Angle



Artech lighting strives to ensure all solutions are supplied with the latest technology, we therefore reserve the right to make technical and design changes without prior notice. Electrical connected load and luminous flux are subject to initial tolerance of up +/- 10%. Colour Temperature is subject to a tolerance of +/-150 Kelvin.

St Johns Rd, Meadowfield Ind. Estate, Durham, Co. Durham, DH7 8RJ, United Kingdom
T: +44(0) 191 3787960 E: info@artechlighting.com