

PRODUCT SPECIFICATION

LAMP OPTIONS	4no TRIDONIC LED MODULES
DRIVER OPTIONS	FIXED OUTPUT DALI DIMMABLE
INTEGRAL EMERGENCY FUNCTION	BASIC 3 HOUR MAINTAINED INTEGRAL - 'E3' 3 HOUR MAINTAINED WITH SELF TEST FUNCTION - 'ST' 3 HOUR MAINTAINED WITH EMPRO - 'EP'
CEILING COMPATIBILITY	LAY-IN EXPOSED TEE - 24mm LAY-IN EXPOSED TEE - 15mm
IP RATING	IP65 FROM BELOW ONCE INSTALLED
ELECTRICAL INPUT	220-240V AC 50/60Hz
MATERIALS	BODY + FRAME - MILD STEEL POWDER COATED CENTRAL OPTIC - ACRYLIC MICROPRISM COVER - CLEAR POLYCARBONATE
STANDARD FINISH	RAL 9010 POLYMER POWDER COAT

PRODUCT DESCRIPTION

The Nitor IP65 is designed for applications requiring higher ingress protection, while providing the right LIGHT LEVELS, LIGHT QUALITY and LIGHT EFFICIENCY. With the use of the latest LED technology, Light Source Shielding Controller and MicroPrism Optics the Nitor provides excellent High Performance, Glare Free LED Lighting in compliance with Part L and LG7 targets, exceeding International Energy Standards.

GENERAL INSTRUCTIONS

1. A qualified electrician should carry out connection to mains wiring in accordance with IEE wiring regulations
2. This luminaire must be earthed
3. Ensure that the rated luminaire voltage and frequency requirements are compatible with the available mains supply (see above table)
4. Do not carry out a high voltage insulation test (i.e. 500-1000V) on this product
5. Cleaning of the diffuser should be carried out using a lint free cloth and soapy water
6. This luminaire is not suitable for mounting on a flammable surface

ALL DIMENSIONS IN MILLIMETERS UNLESS OTHERWISE STATED.
GENERAL TOLERANCE ± 1 mm

REV 0 Dec 2019



TEL: +44 (0)191 3787960

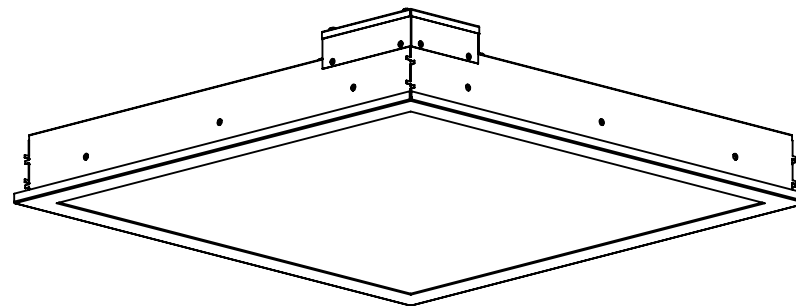
Artech Lighting Limited
St Johns Road
Meadowfield Industrial Estate
Durham
DH7 8RJ

© Artech Lighting Limited 2019. All copyrights and design rights reserved. Apex Wiring Solutions Limited, St. John's Road, Meadowfield Industrial Estate, Durham DH7 8RJ. This document and the information herein is confidential no part of which may be copied or transmitted without the prior written permission of Artech Lighting Limited.



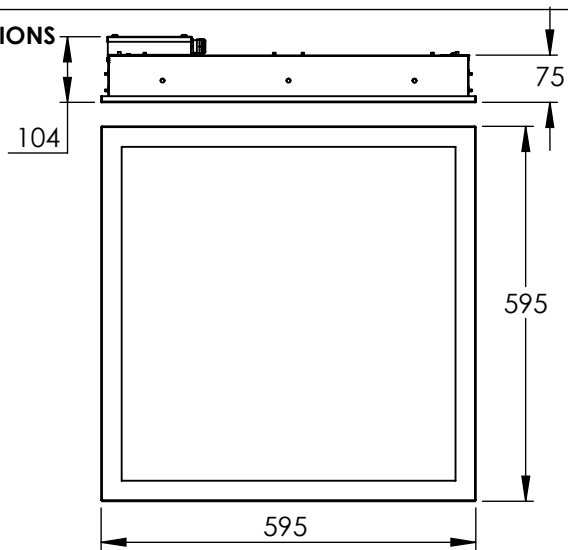
UK
CA

NITOR IP65



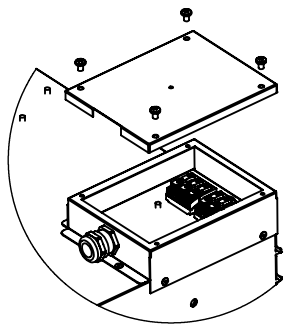
RECESSED LED LUMINAIRE Installation Instructions

PRODUCT DIMENSIONS

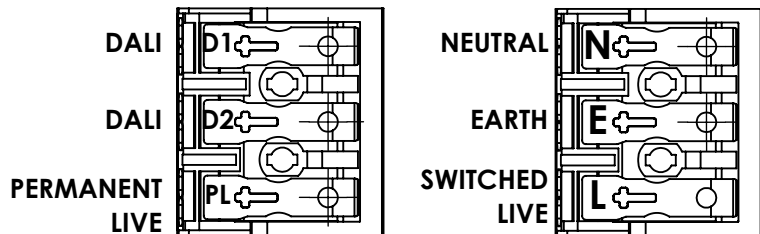


INSTALLATION METHOD - Luminaire should be handled wearing gloves.

1. Carefully remove luminaire from carton. Check for any damage from transit.
2. Support the luminaire beneath the location it is to be installed, do not put pressure directly onto the plastic diffuser. Remove the terminal box cover.

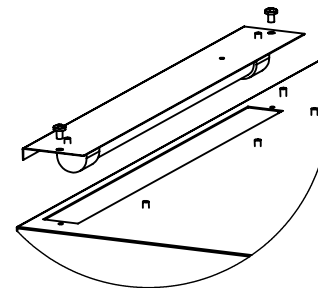


3. Ensuring mains supply is disconnected, wire through the cable gland and into the terminal blocks as shown below.



4. Replace the terminal cover and secure with the 4no screws provided.

5. ONLY IF CONSTANT PERMANENT LIVE SUPPLY IS PROVIDED, remove the battery cover and make the battery connection to the convertor. Replace the cover.



6. Lift and tilt the luminaire into the ceiling grid.

