

# PRODUCT SPECIFICATION

<b>LIGHT SOURCE</b>	LOW VOLTAGE LED MODULES
<b>DRIVER OPTIONS</b>	FIXED OUTPUT DALI DIMMABLE
<b>EMERGENCY FUNCTION</b>	BASIC 3 HOUR MAINTAINED INTEGRAL - 'E3' 3 HOUR MAINTAINED WITH SELF TEST FUNCTION - 'ST' 3 HOUR MAINTAINED WITH EMPRO - 'EP'
<b>CEILING COMPATIBILITY</b>	EXPOSED T - T15 / T24
<b>IP RATING</b>	IP40 FROM FRONT ONCE INSTALLED
<b>ELECTRICAL INPUT</b>	220-240V AC 50-60Hz
<b>MATERIALS</b>	EXTRUDED ALUMINIUM FRAME ACRYLIC OPTICS SHEET ALUMINIUM BACKING
<b>STANDARD FINISH</b>	POWDER COATED WHITE

## PRODUCT DESCRIPTION

Recessed edge lit LED tile, to suit lay-in ceiling grid systems. Available with homogenous Opal diffuser, or glare controlling Mircoprism (MPO) optics. Remote control gear allows for a quick and simple installation process.

### GENERAL INSTRUCTIONS

1. A qualified electrician should carry out connection to mains wiring in accordance with IEE wiring regulations
2. This luminaire must be earthed
3. Ensure that the rated luminaire voltage and frequency requirements are compatible with the available mains supply (see above table)
4. Do not carry out a high voltage insulation test (i.e. 500-1000V) on this product
5. Cleaning of the diffuser should be carried out using a lint free cloth and soapy water
6. This luminaire is not suitable for mounting on a flammable surface

ALL DIMENSIONS IN MILLIMETERS UNLESS OTHERWISE STATED.  
GENERAL TOLERANCE  $\pm 1$ mm

REV 0 Dec 2019



TEL: +44 (0)191 3787960

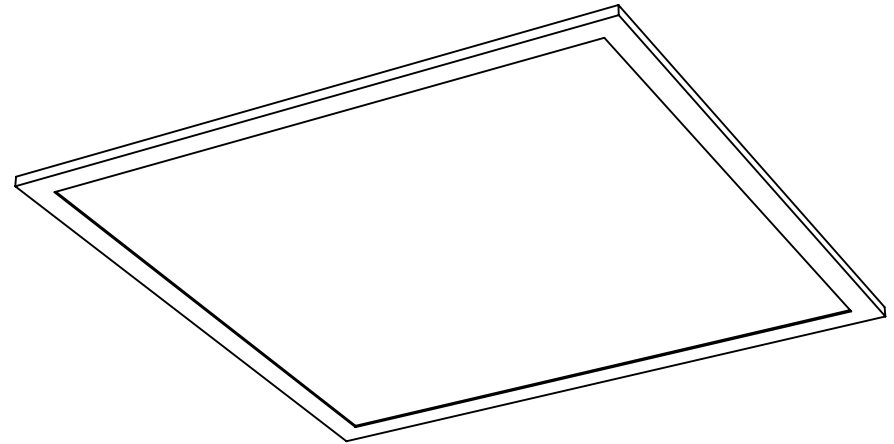
Artech Lighting Limited  
St Johns Road  
Meadowfield Industrial Estate  
Durham  
DH7 8RJ

© Artech Lighting Limited 2015. All copyrights and design rights reserved. Apex Wiring Solutions Limited, St. John's Road, Meadowfield Industrial Estate, Durham DH7 8RJ. This document and the information herein is confidential no part of which may be copied or transmitted without the prior written permission of Artech Lighting Limited.

UK  
CA

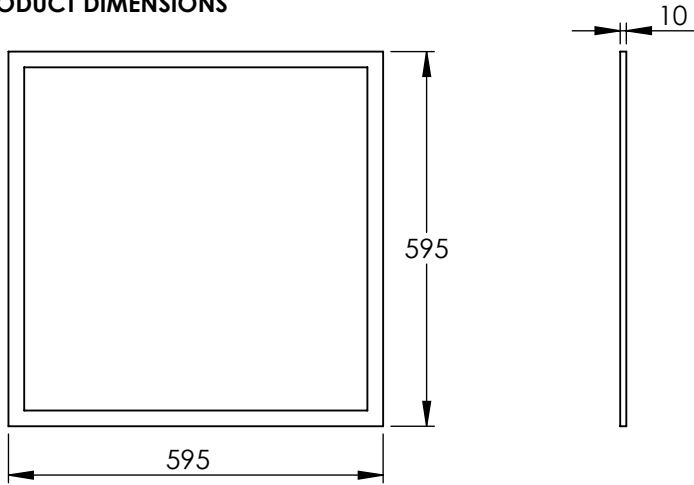


## NITOR SLIM

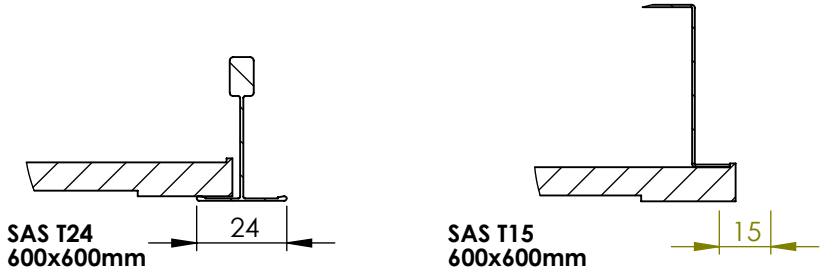


## RECESSED EDGE LIT LED LUMINAIRE Installation Instructions

**PRODUCT DIMENSIONS**



**CEILING INTEGRATION** - Suits 600x600mm EXPOSED TEE GRID SYSTEMS:



**INSTALLATION METHOD** - Luminaire should be handled wearing gloves.

1. Carefully remove the luminaire from carton. Check for any damage from transit.
2. Ensuring mains supply is switched off, wire into the driver / emergency pack using the below diagrams. Fit strain relief onto outer insulation of flex.

3. On emergency versions, make the battery connection - ONLY IF CONSISTANT MAINS SUPPLY IS AVAILABLE. If the battery is part-charged then the mains supply is removed, it can reduce the life of the battery.

4. Lift and tilt the luminaire into the ceiling grid, allow it to drop into place. The control gear can rest either on the back of the luminaire body, or in an adjacent tile.

